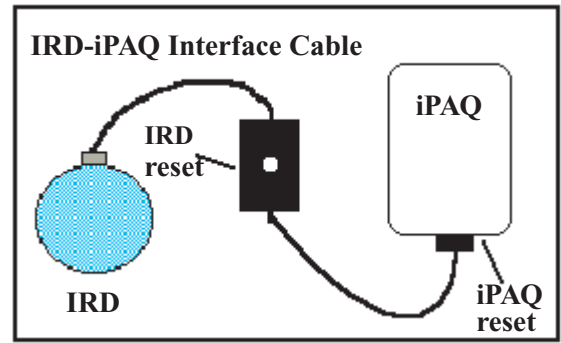




TECHMARK, INC.

technology from the ground up

5801 W. Mt. Hope Hwy. Lansing, MI 48917
ph (517) 322 0250 fax (517) 322 0470
techmark@techmark-inc.com www.techmark-inc.com



Connection Diagram

Getting Started with Techmark's Handheld Kit. Please follow these simple steps to assure proper connection and operation. All iPAQ's are preprogrammed and tested prior to shipping.

1. Make sure IRD and iPAQ are fully charged and that you have your current IRD calibration data available. Fully charging an IRD may take as long as 24 hours so plan ahead.
2. Using the Techmark IRD-iPAQ interface cable, carefully connect the IRD to the iPAQ.
3. Turn on the iPAQ and tap on the "Start" button (top-left corner) and then tap on the Techmark "T" icon labeled PocketIRD to activate PocketIRD Software.
*****Please note that at the bottom right corner is a keyboard icon, tap on it to activate for typing*****
4. From the PocketIRD software Main Window, do the following, tapping the "OK" box in the top-right corner after each to return to the Main Window:
 - a. Select at the bottom of the screen "PocketPC", select "Company Info", and then select "New", proceed to fill in the information, and then save. Only the Company Name is required. All IRD data is stored in one of the defined Companies.
 - b. Select at the bottom of the screen "PocketPC" and then select "Calibrate File". Enter your IRD serial number, plus the X, Y and Z calibration values, and then save.
 - c. Select at the bottom of the screen "PocketPC" and then select "Create Data Labels". Data labels are used while impacts are being recorded to help match impacts with locations in the equipment. Save the Data Labels when you are finished.
*****Please note that there is a "?" Help box in the top right corner to assist you with any question.*****
5. Press the reset button on the IRD interface cable to activate the IRD. From the PocketIRD software Main Window, select "Record".
6. Type in a name for the Impact Data File you wish to create. This data file will contain the set of impact data that you are about to collect.
7. Set the Minimum G threshold that the impacts must surpass in order to be recorded.
8. Select the Data Label file that you will use to identify the impacts being recorded.
9. Press the Record button to begin and disconnect the IRD from the iPAQ. The iPAQ display will then change to the Data Label Stopwatch display. While the IRD is recording, tap on a Data Label associated with the IRD's location. The resulting time will be used to help match impacts and Data Labels.
10. Reconnect the IRD to the iPAQ and tap on the "Retrieve Data" button. The Impact data will be matched with the Data Label time data to assign a Data Label to each impact, and then the Impact Data will be stored in a file using the name from step 6 above, and assigned to the Company created in step 4a above. Impact data is displayed in data table format.
11. At the PocketIRD software Main Window, tap on the "Analyze" button and select the company name and the impact data file. Once selected, you have the ability to view the impact data in a: table, scatter plot, and a real time graph.

Congratulations, you just mastered the Techmark PocketIRD System!

If at anytime the iPAQ "freezes" or "locks up", use stylus to press reset button on bottom of iPAQ to the right of the connector.